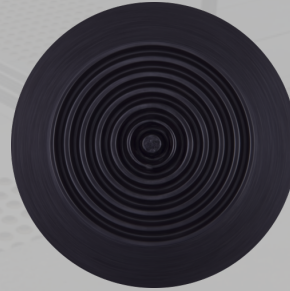




Poly Stud

Classic Poly Stud (CCPS1)

Clearview Tactiles PolyStud P5 tactile indicators are made from quality UV Stabilised polyresin and come in a variety of colours to suite a broad range of substrates. The P5 anti slip rating combined with its strength makes the PolyStud P5 one of the best performing tactile indicators on the market.



Specifications	
Product	Classic Poly Stud
Product Code	CCPS1
Material	UV Stable Polymar
Overall Dimensions	35mm (Dia) x 5mm (H)
Warranty	5 Years
Slip Rating	P5 (Highest)
Compliance Code	AS/NZS1428.4.1:2009, BCA 2014
Fixing Method	Pressure Fit

Standard Finishes

Finish



Black
CCPS1B



Grey
CCPS1G



White
CCPS1W



Yellow
CCPS1Y

Specification Instructions

Copy the prewritten specification below and update all sections in brackets to create your project specification.

Description

Clearview Tactile Ground Indicator Studs in code: ['add code here'](#) (UV Stable Polymar). To be installed to the manufacturer's instructions in accordance to the AS/NZS 1428.14.2009

Manufacturer

Clearview Tactiles
P: 1300 884 948
E: sales@clearviewtactiles.com.au
W: www.clearviewtactiles.com.au



www.clearviewtactiles.com.au

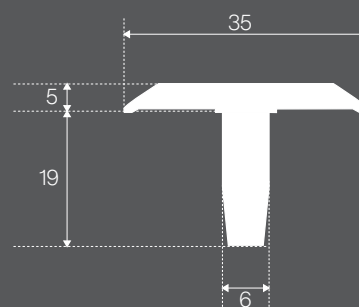


sales@clearviewtactiles.com.au



1300 884 948

Profile



Installation Guide

